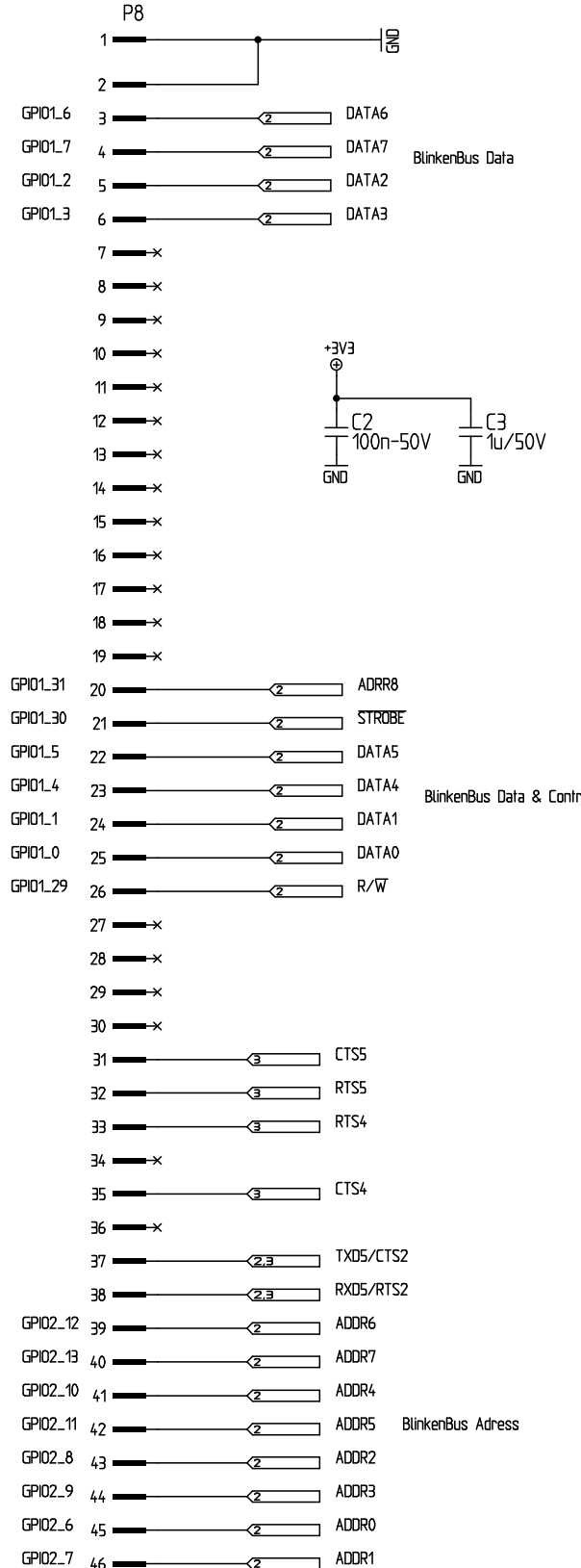
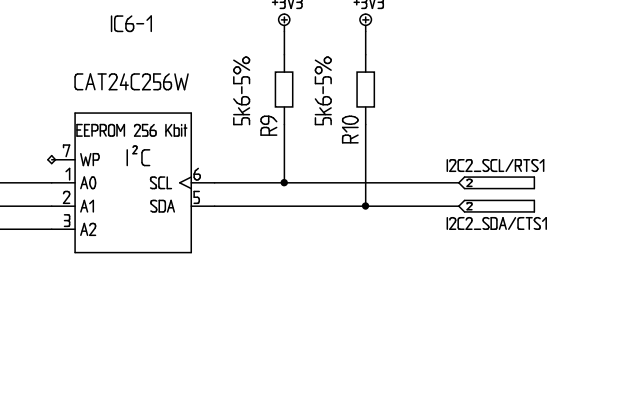
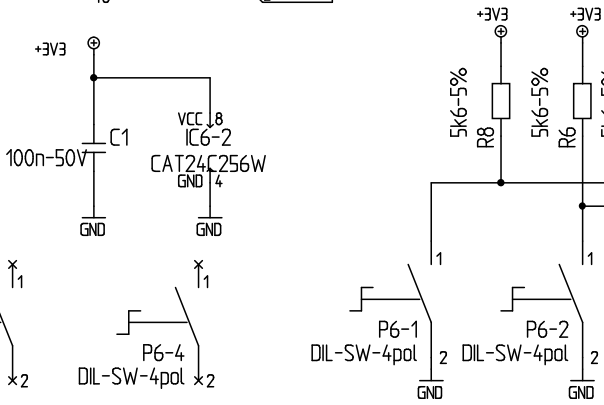
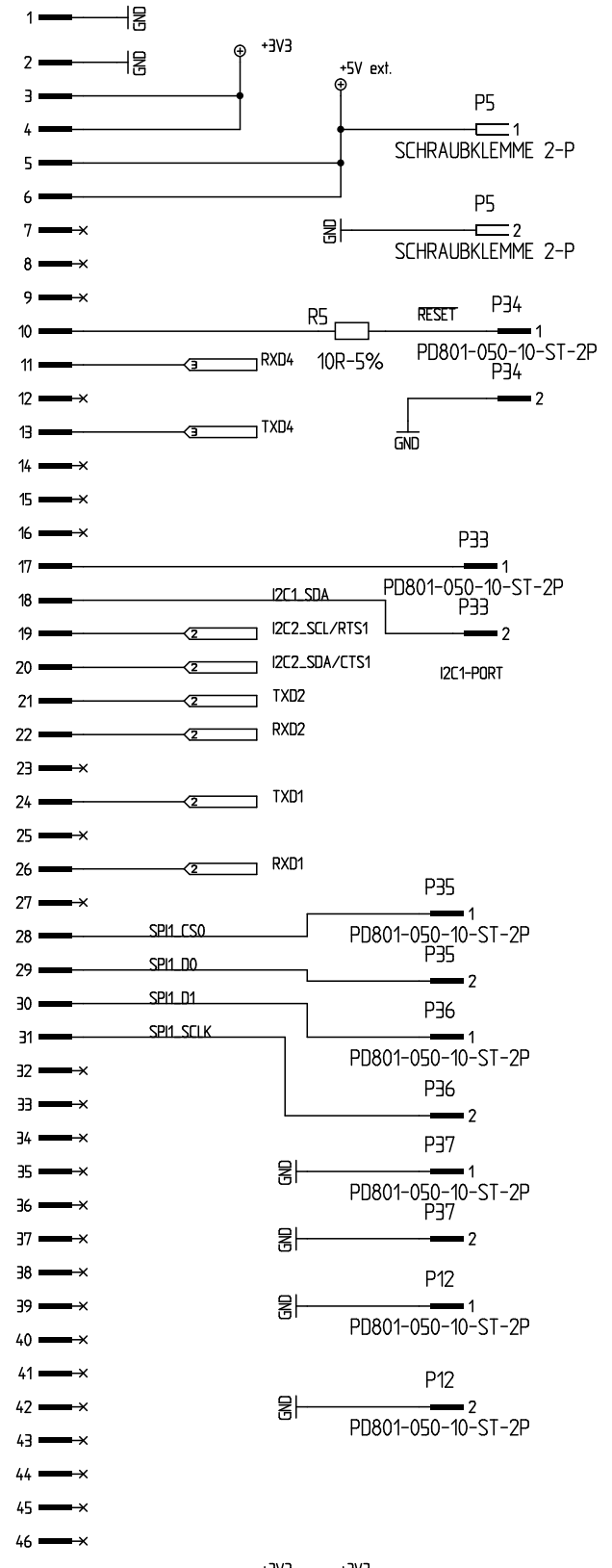


PL582-12-040-G-2x26P

PL582-12-040-G-2x26P

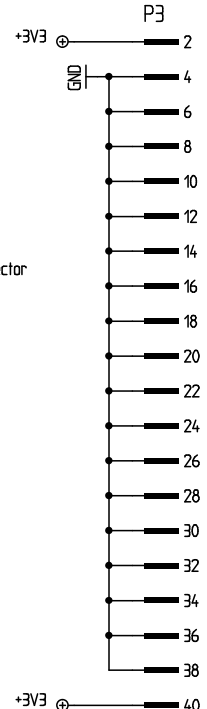
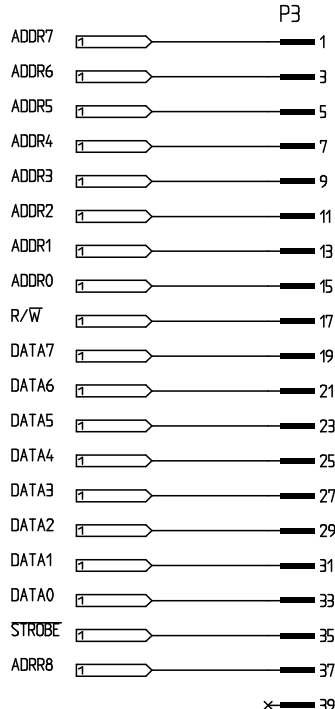


P9



STIFTLAISTE-20x2 m.Wanne

STIFTLAISTE-20x2 m.Wanne



BlinkenBus Connector

