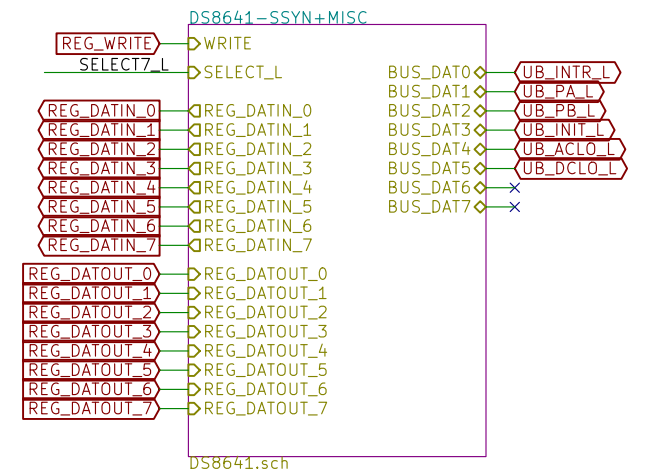
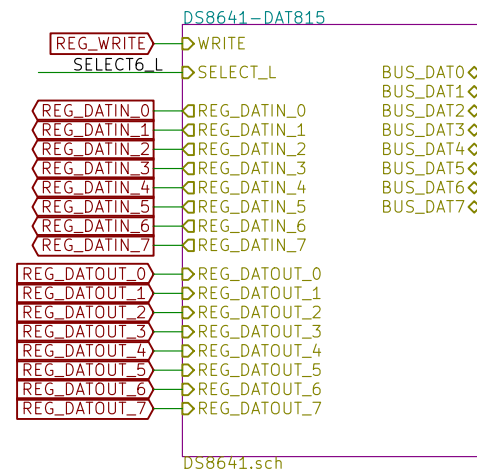
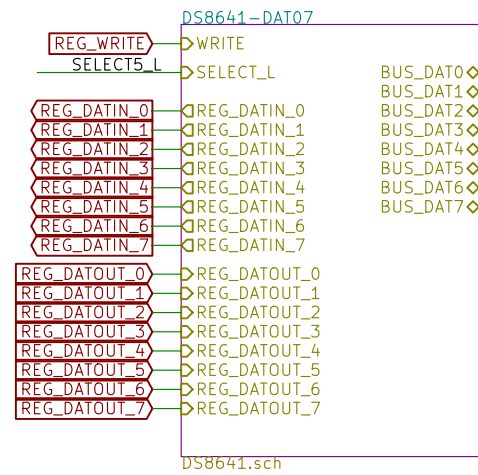
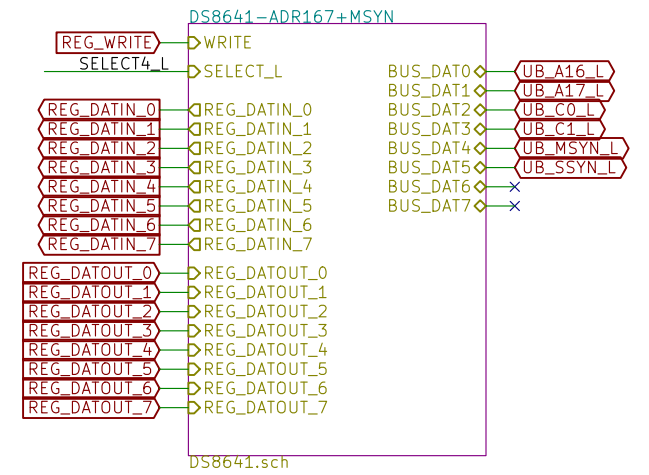
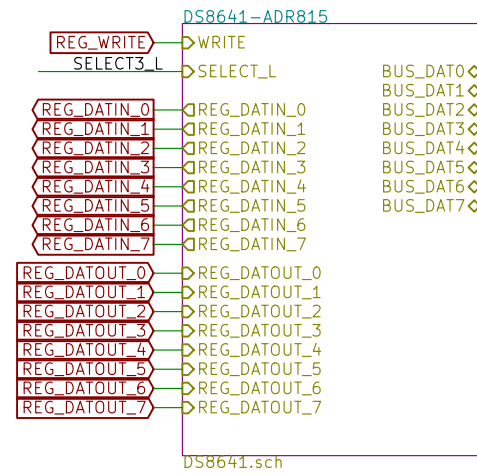
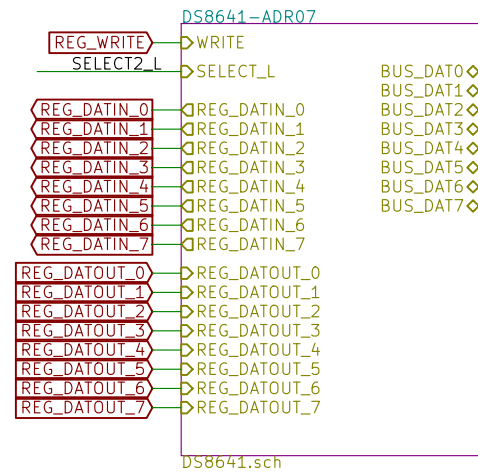
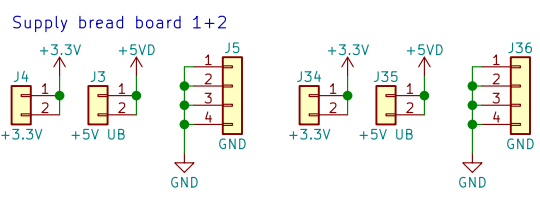
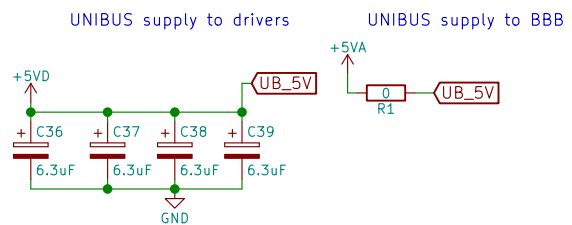
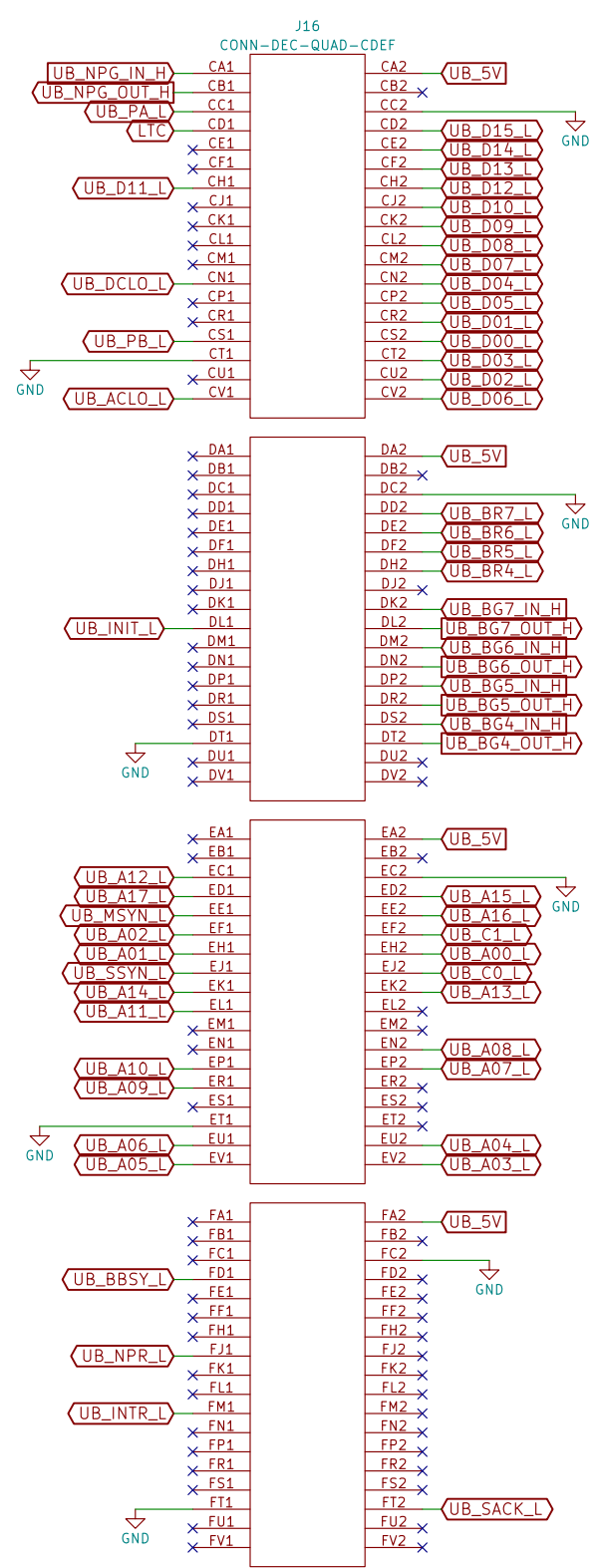
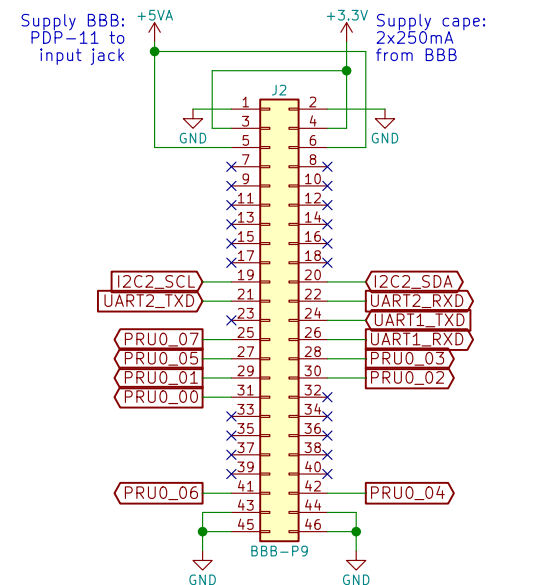
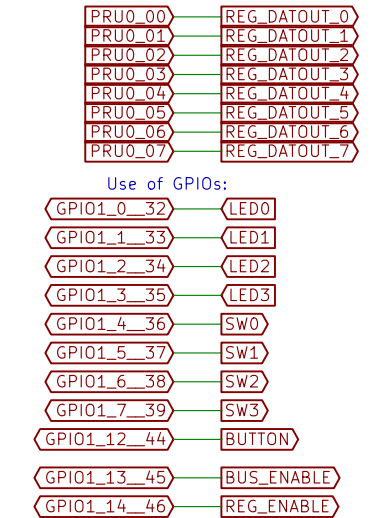
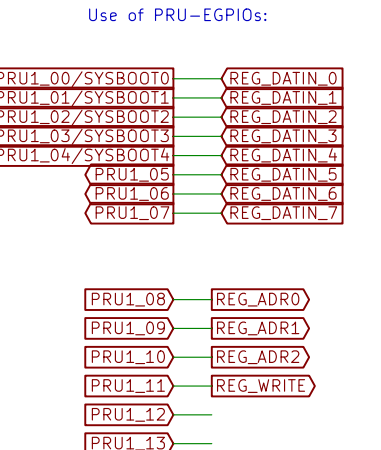
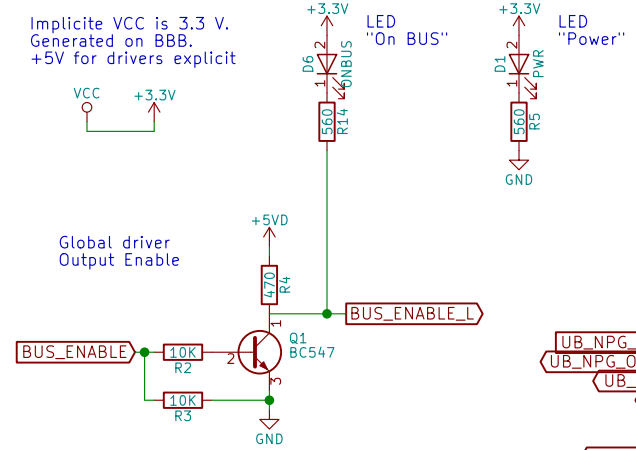
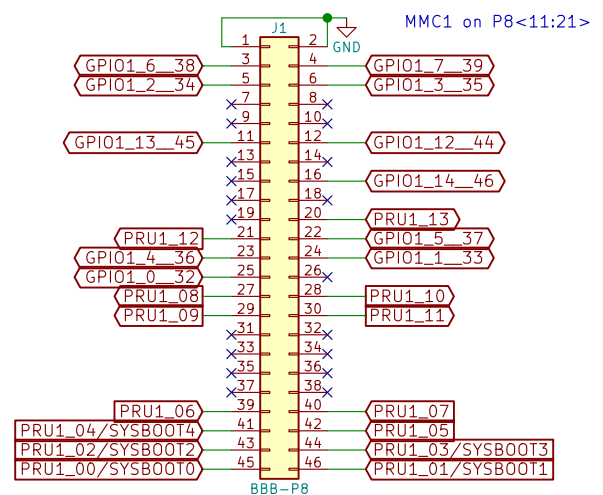


Critical timing delay:  
ADR\* → 0\*

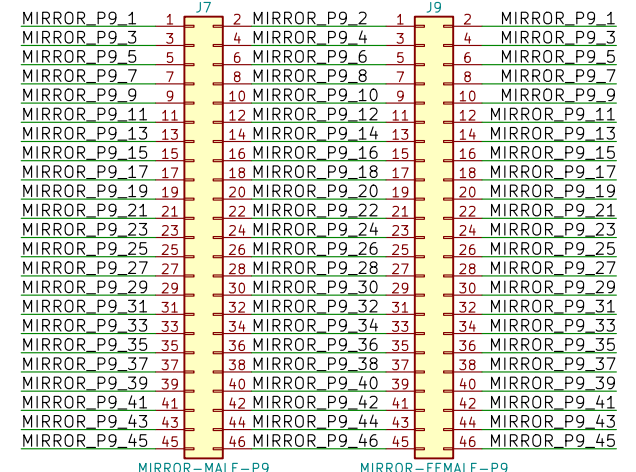
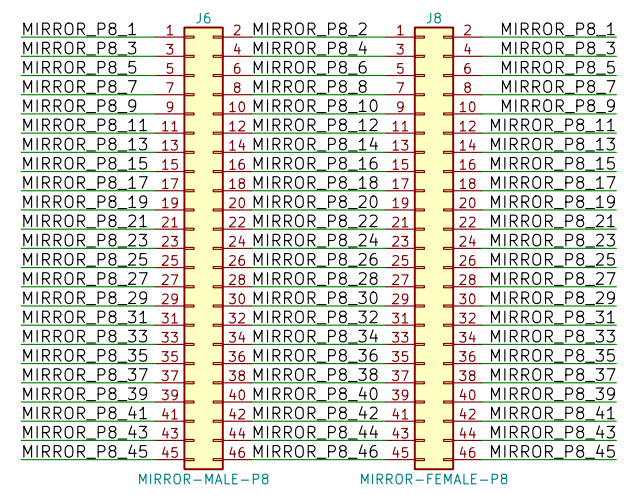
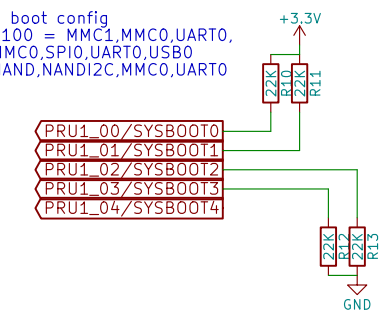


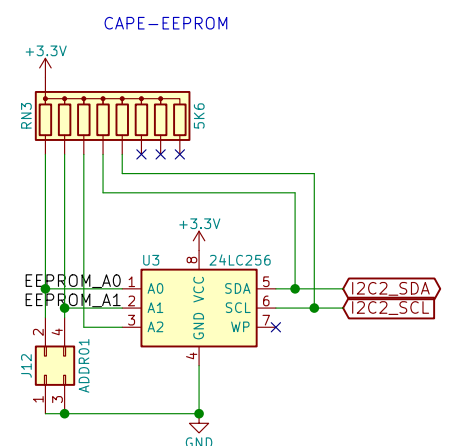
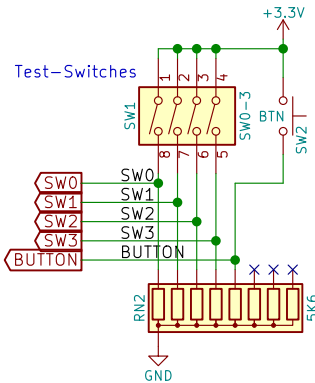
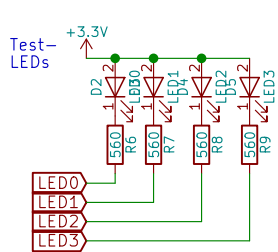


BBB Header:  
use 2x25 pin footprint:  
cabling 50 pins!

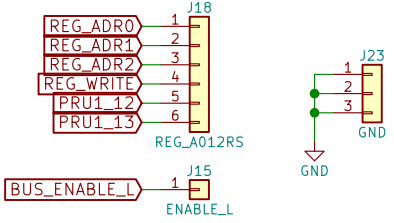
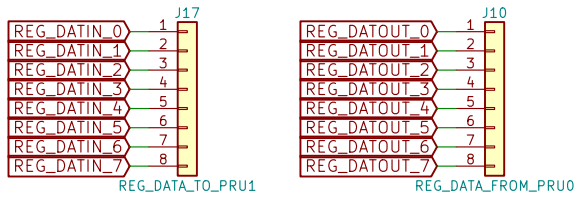


Override BBB boot config  
Default: ...11100 = MMC1,MMC0,UART0,  
...10111 = MMC0,SPI0,UART0,USB0  
...10011 = NAND,NANDI2C,MMC0,UART0

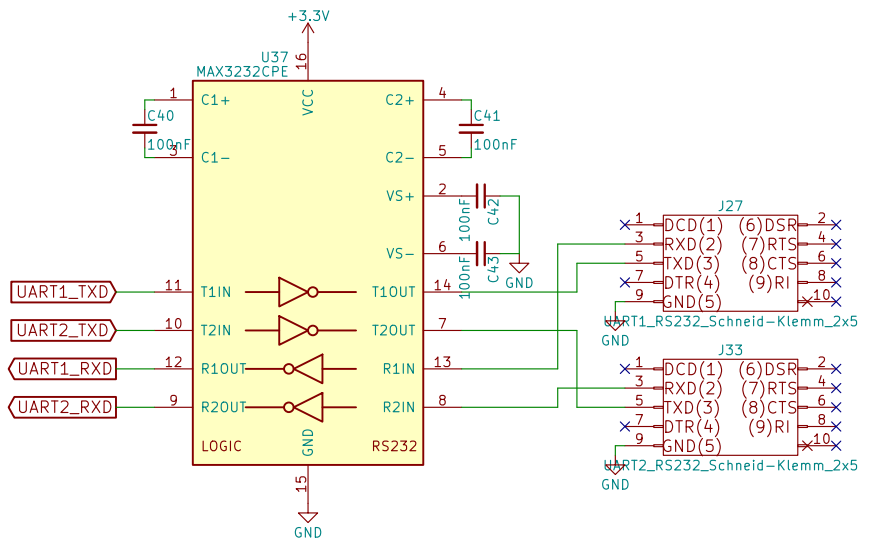
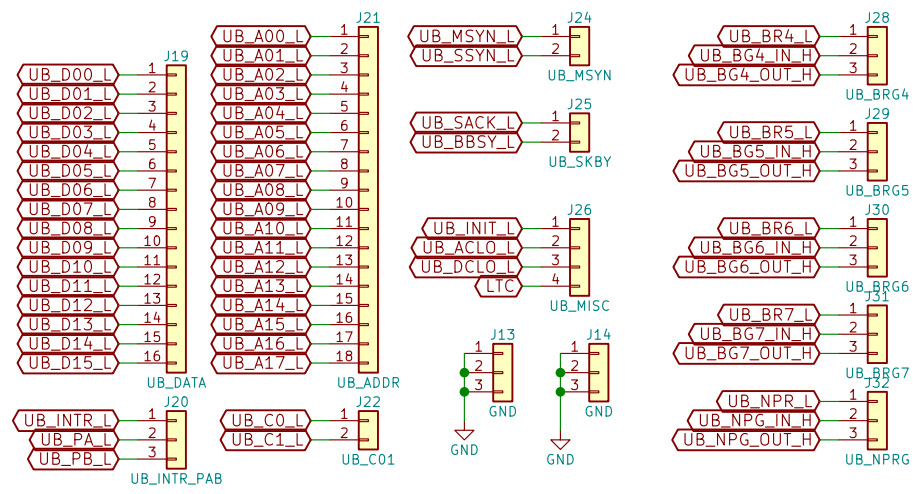




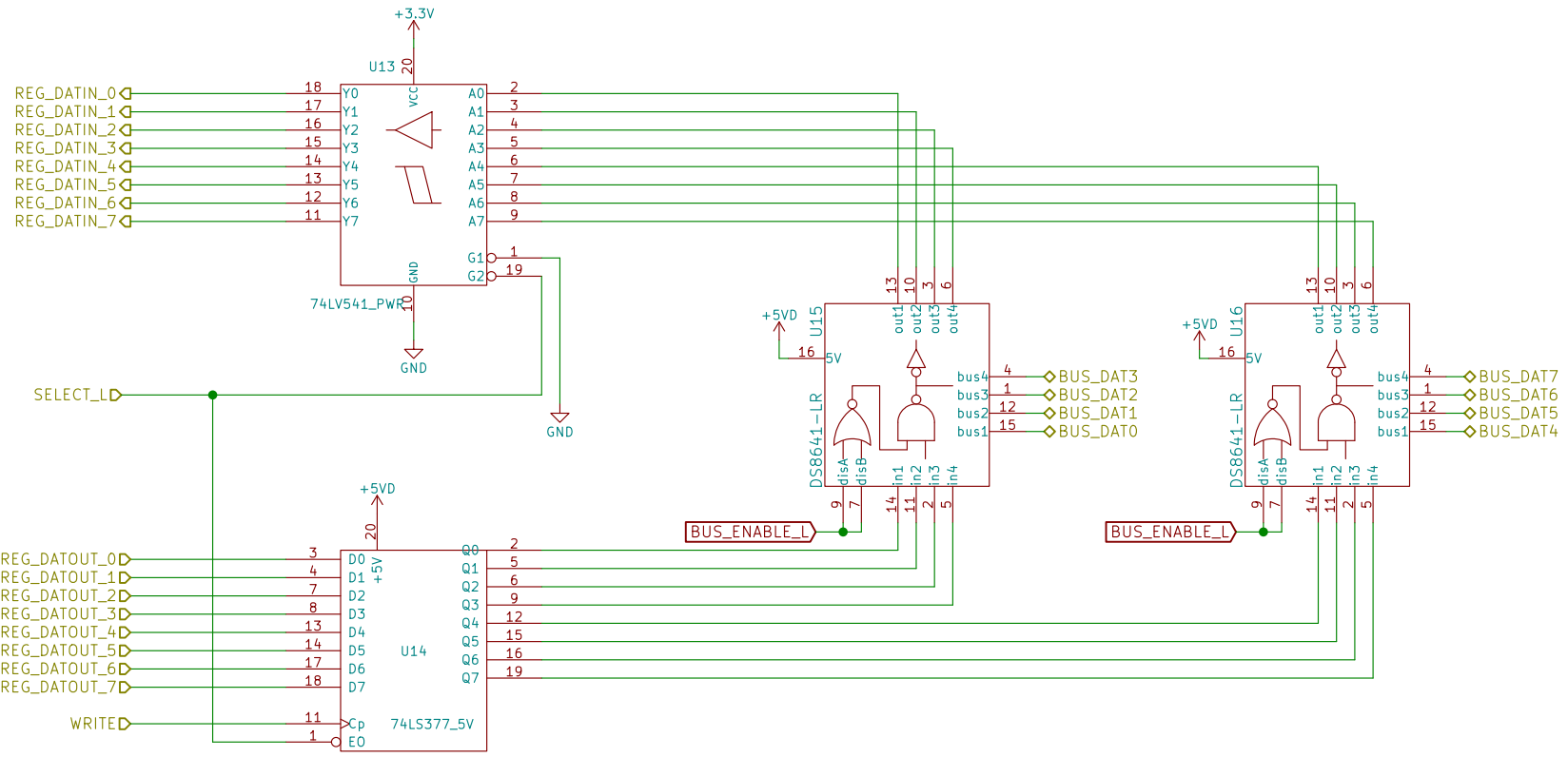
BBB signal diagnostic



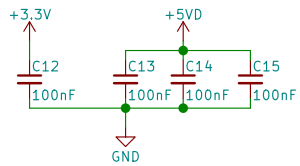
UNIBUS signal diagnostic



Sheet: /misc-io/ File: misc-io.sch	
<b>Title:</b>	
Size: A4	Date:
KiCad E.D.A. kicad 4.0.7	Rev: Id: 3/11



WRITE: outputs latch on L->H

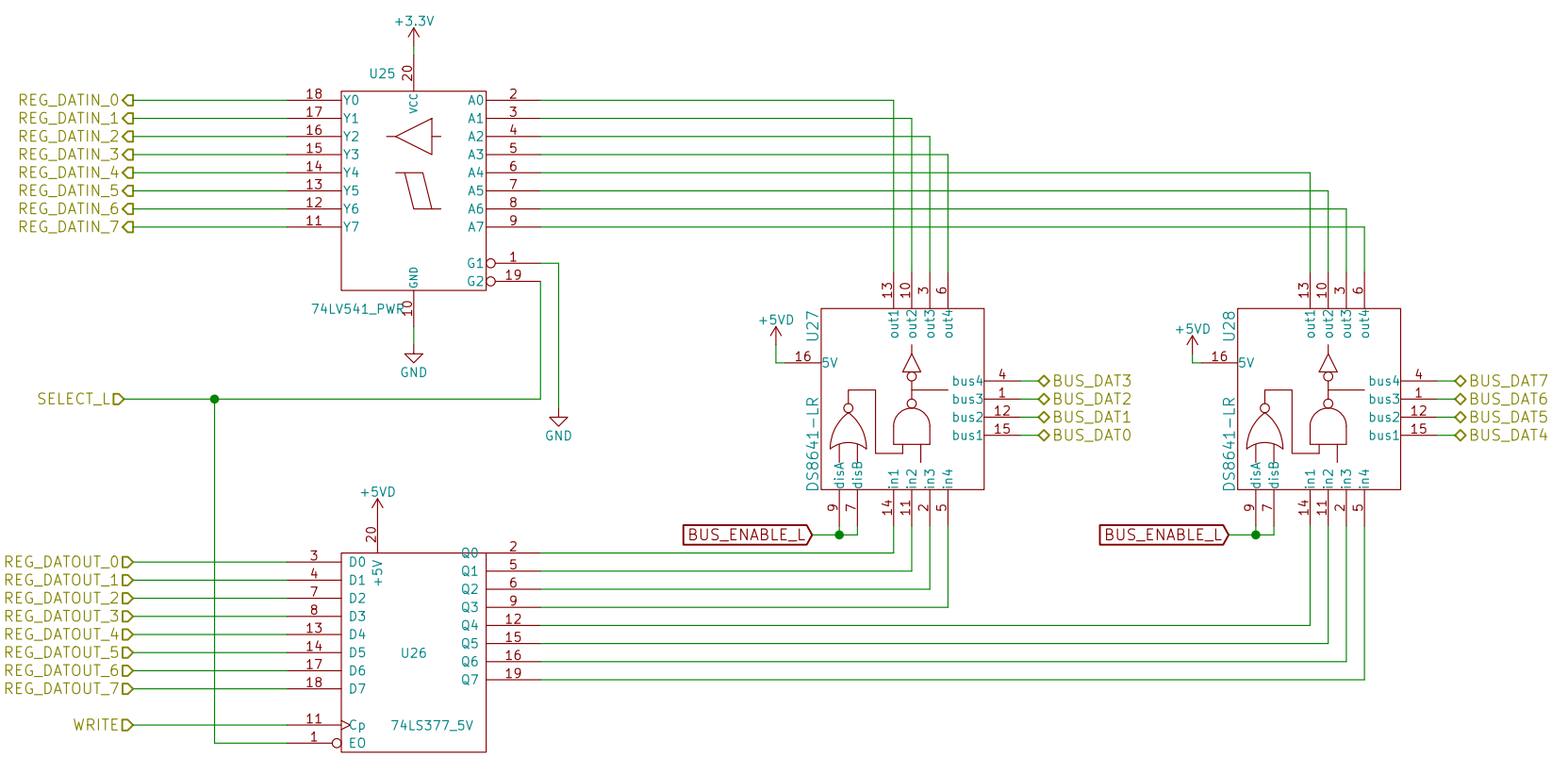


Sheet: /DS8641-ADR815/  
File: DS8641.sch

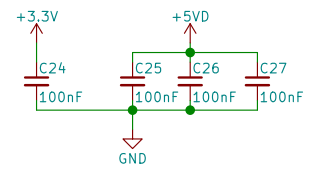
**Title:**

Size: A4 Date:  
KiCad E.D.A. kicad 4.0.7

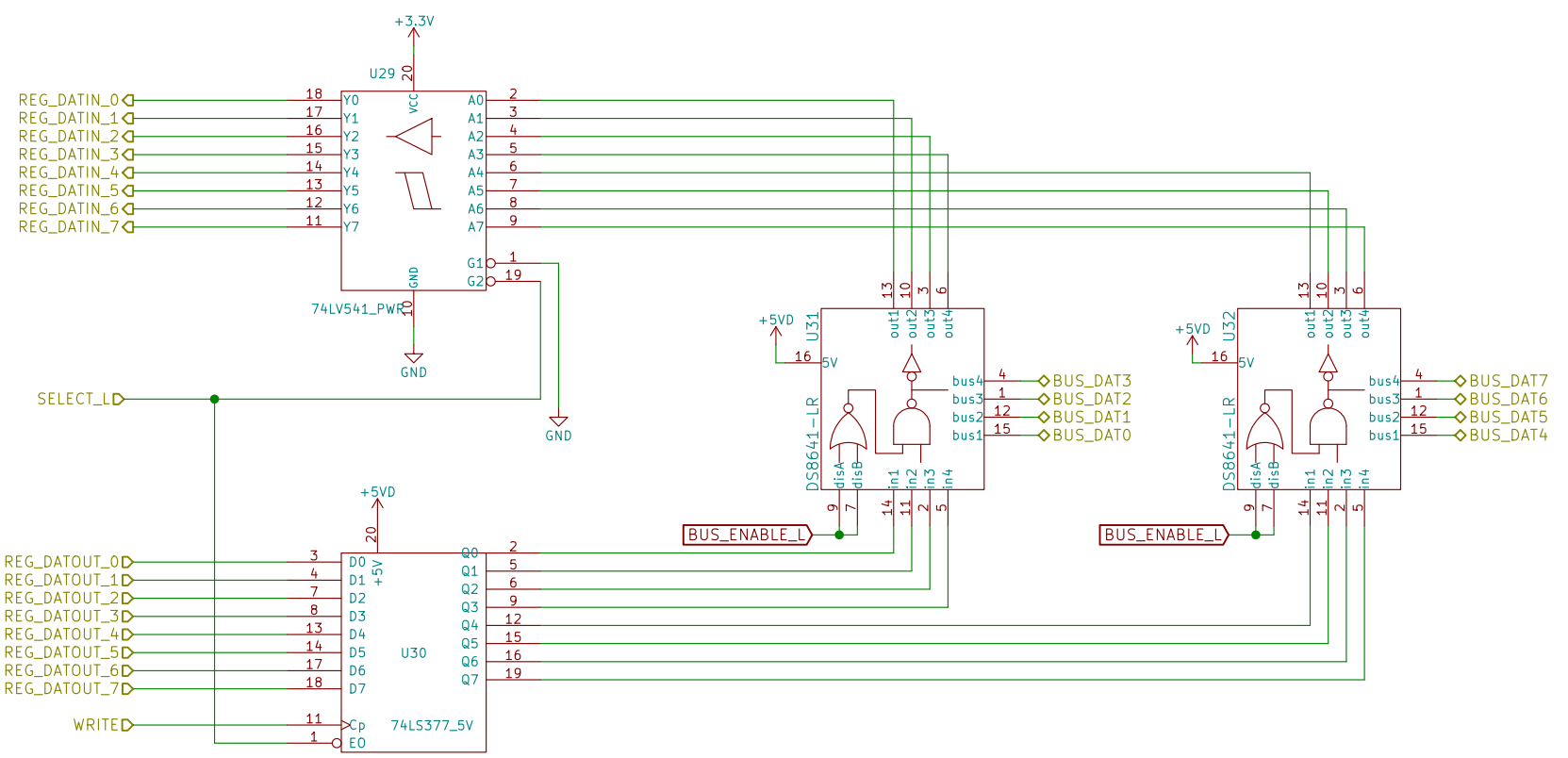
Rev:  
Id: 4/11



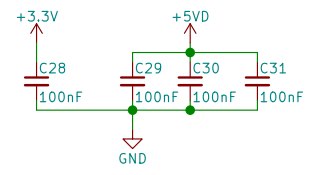
WRITE: outputs latch on L->H



Sheet: /DS8641-ADR167+MSYN/	
File: DS8641.sch	
<b>Title:</b>	
Size: A4	Date:
KiCad E.D.A. kicad 4.0.7	Rev: Id: 5/11



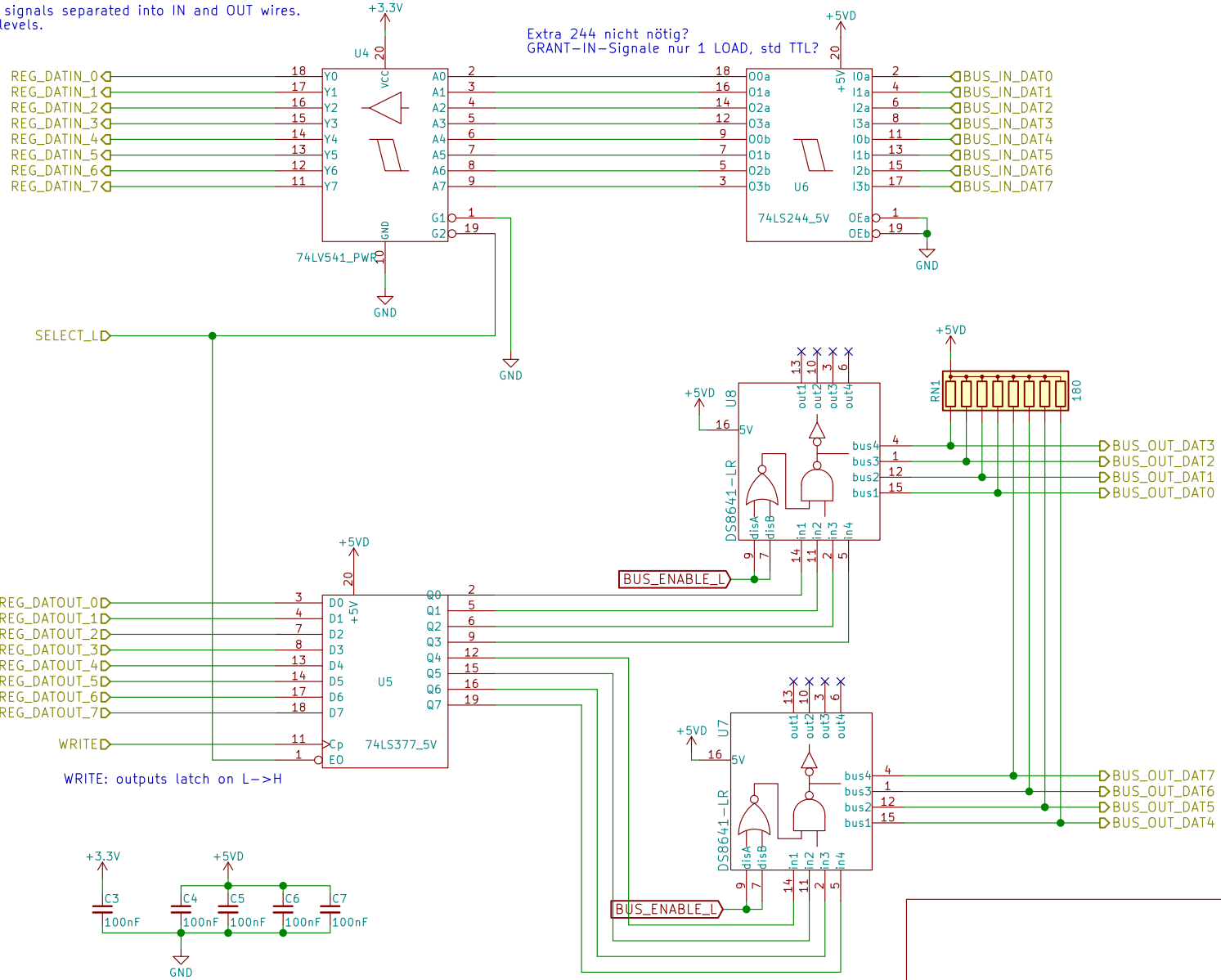
WRITE: outputs latch on L->H



Sheet: /DS8641-ARB/		Date:	
File: DS8641.sch		KiCad E.D.A. kicad 4.0.7	
<b>Title:</b>		<b>Rev:</b>	
		Id: 6/11	

SPC signals separated into IN and OUT wires.  
TTL levels.

Extra 244 nicht nötig?  
GRANT-IN-Signale nur 1 LOAD, std TTL?



WRITE: outputs latch on L->H

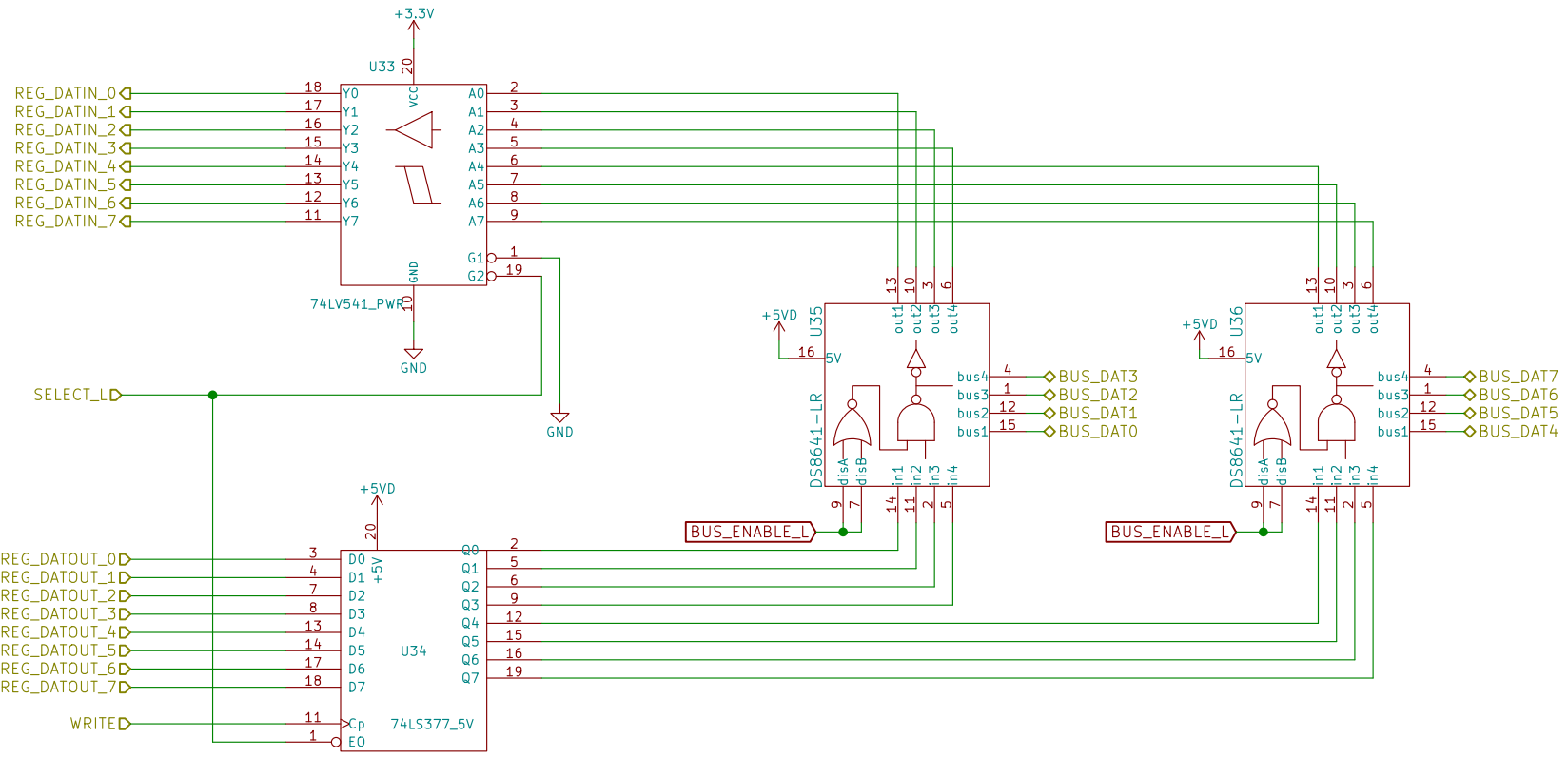
Sheet: /TTL\_IN\_OUT/  
File: TTL\_IN\_OUT.sch

**Title:**

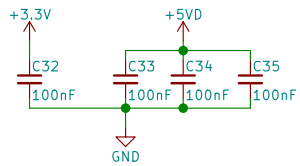
Size: A4  
KiCad E.D.A. kicad 4.0.7

Date:

**Rev:**  
Id: 7/11



WRITE: outputs latch on L->H



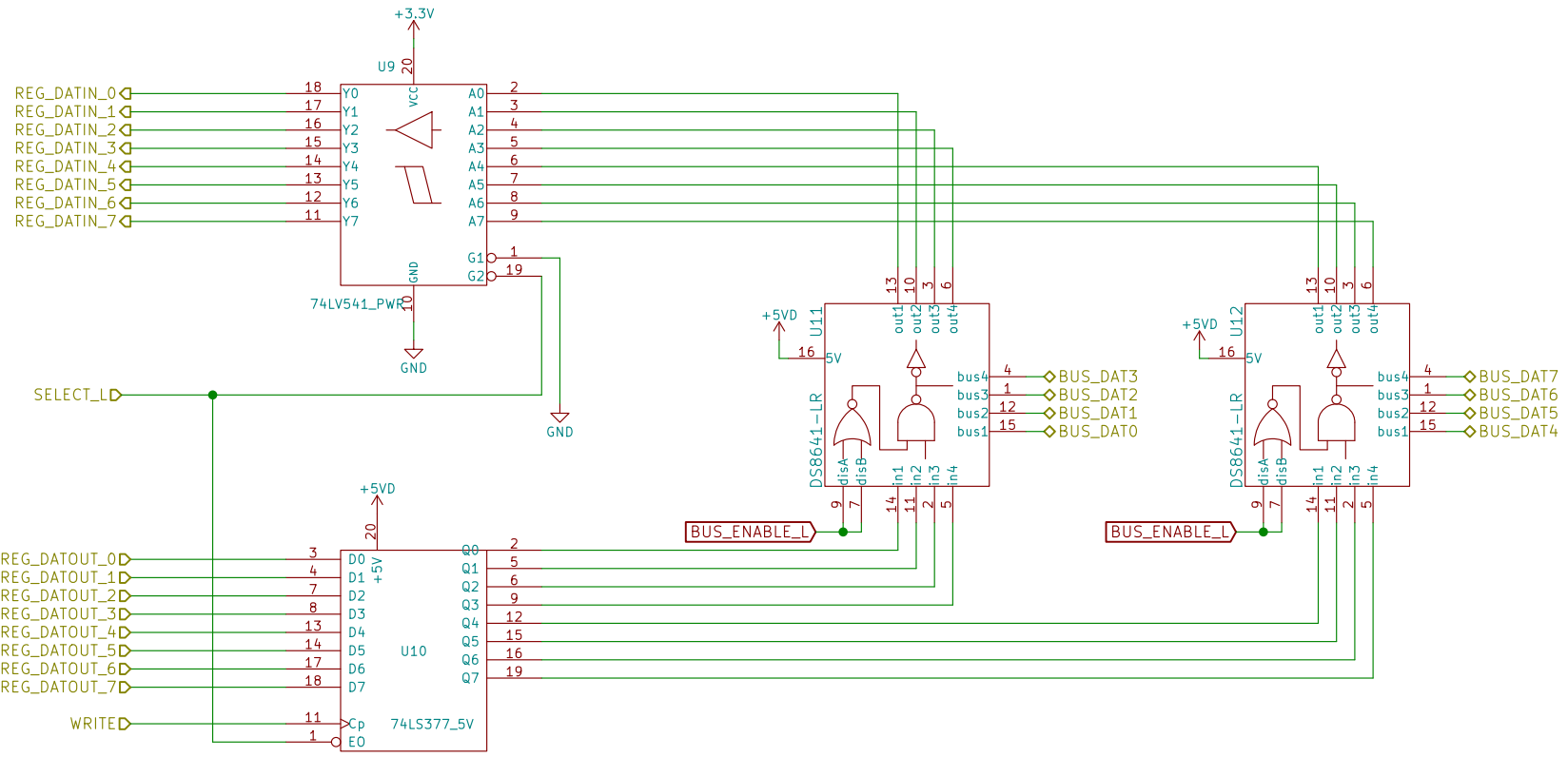
Sheet: /DS8641-SSYN+MISC/  
File: DS8641.sch

**Title:**

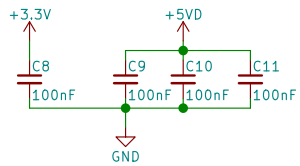
Size: A4 Date:  
KiCad E.D.A. kicad 4.0.7

Rev:  
Id: 8/11





WRITE: outputs latch on L->H

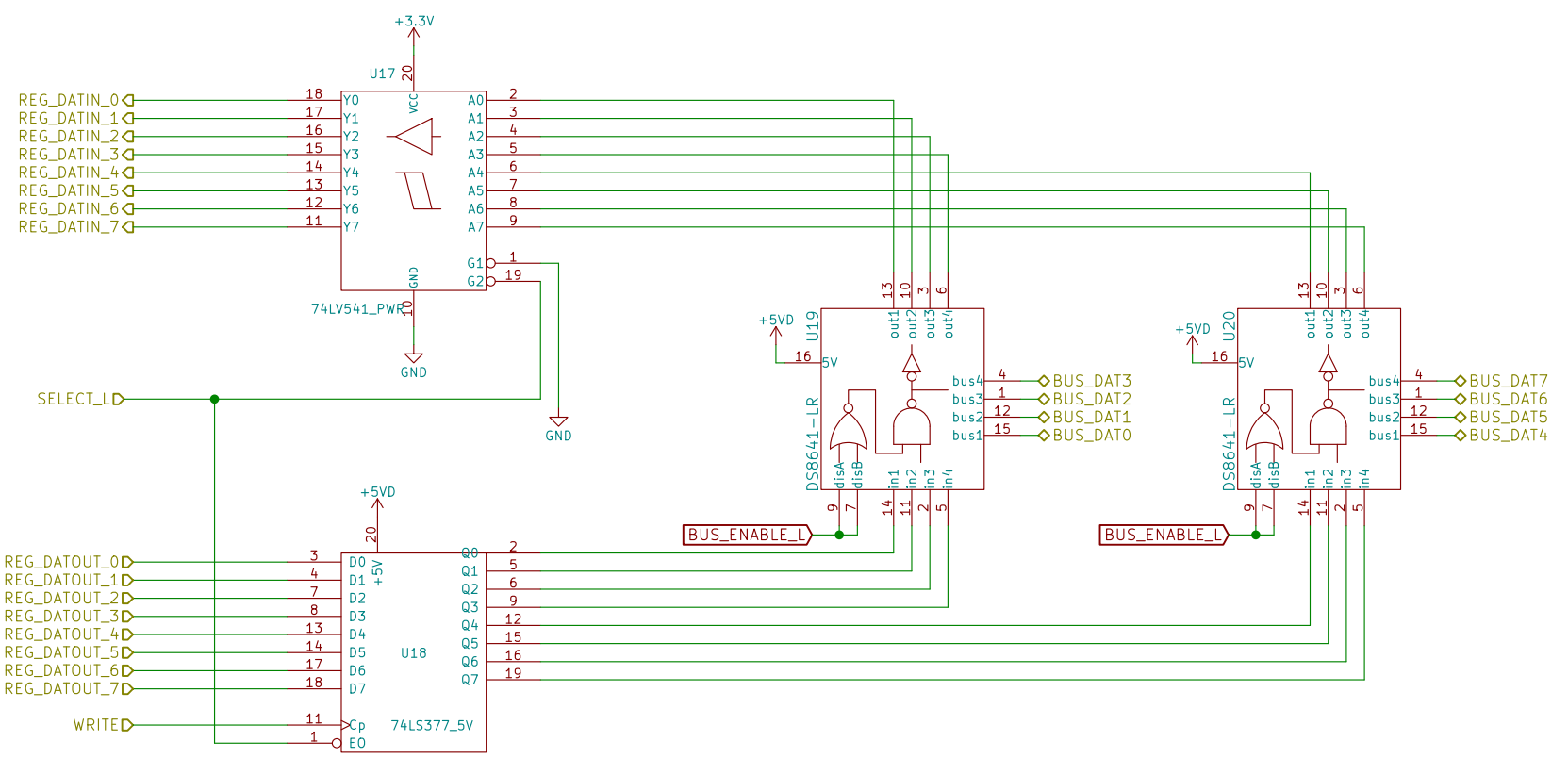


Sheet: /DS8641-ADR07/  
File: DS8641.sch

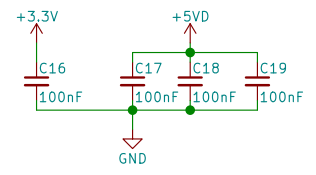
**Title:**

Size: A4 Date:  
KiCad E.D.A. kicad 4.0.7

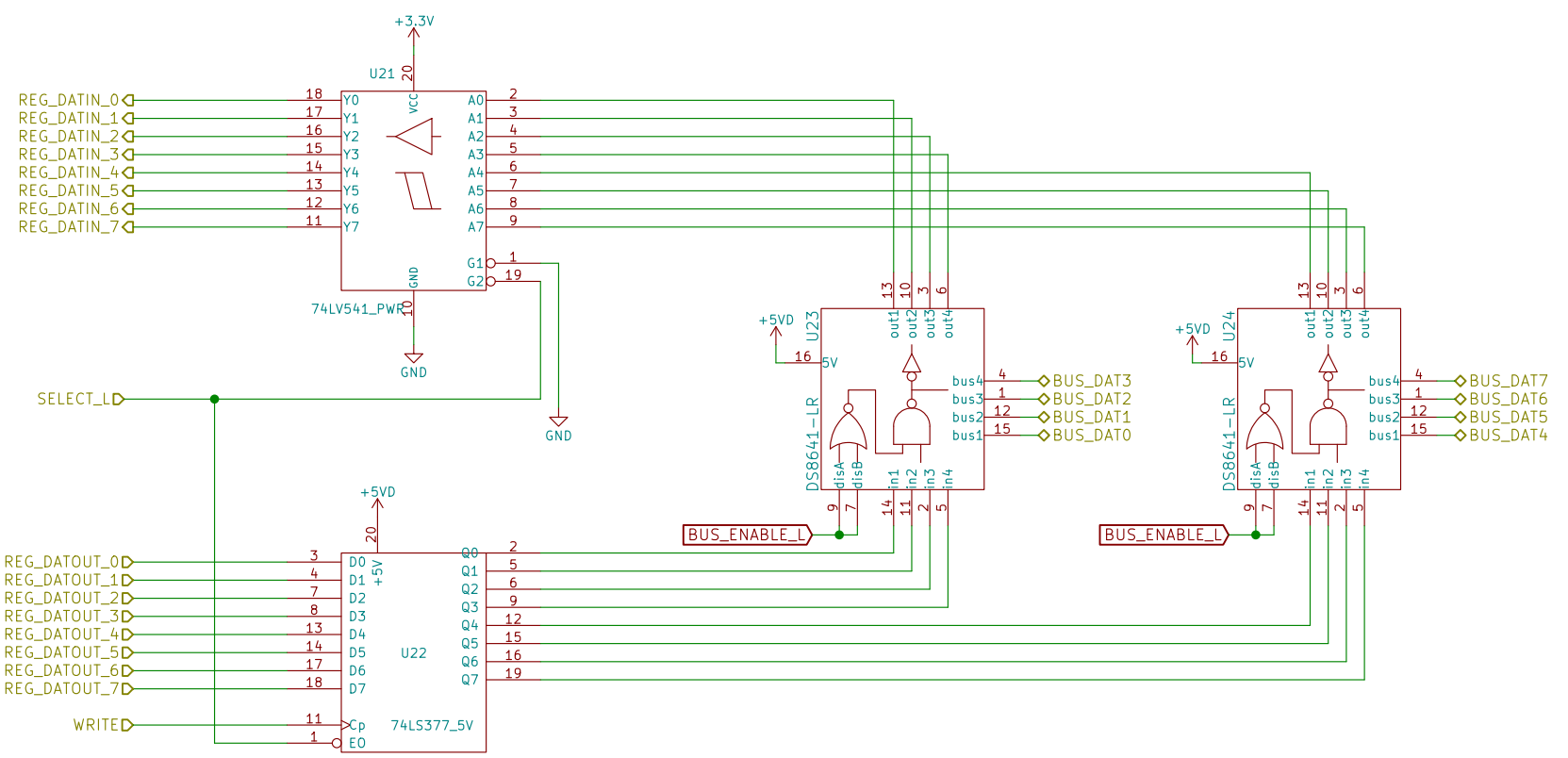
Rev:  
Id: 9/11



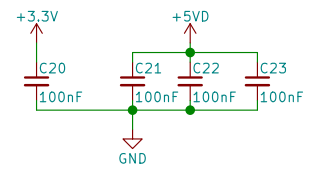
WRITE: outputs latch on L->H



Sheet: /DS8641-DAT07/		File: DS8641.sch	
<b>Title:</b>			
Size: A4	Date:	Rev:	
KiCad E.D.A. kicad 4.0.7		Id: 10/11	



WRITE: outputs latch on L->H



Sheet: /DS8641-DAT815/		File: DS8641.sch	
<b>Title:</b>			
Size: A4	Date:	Rev:	
KiCad E.D.A. kicad 4.0.7		Id: 11/11	